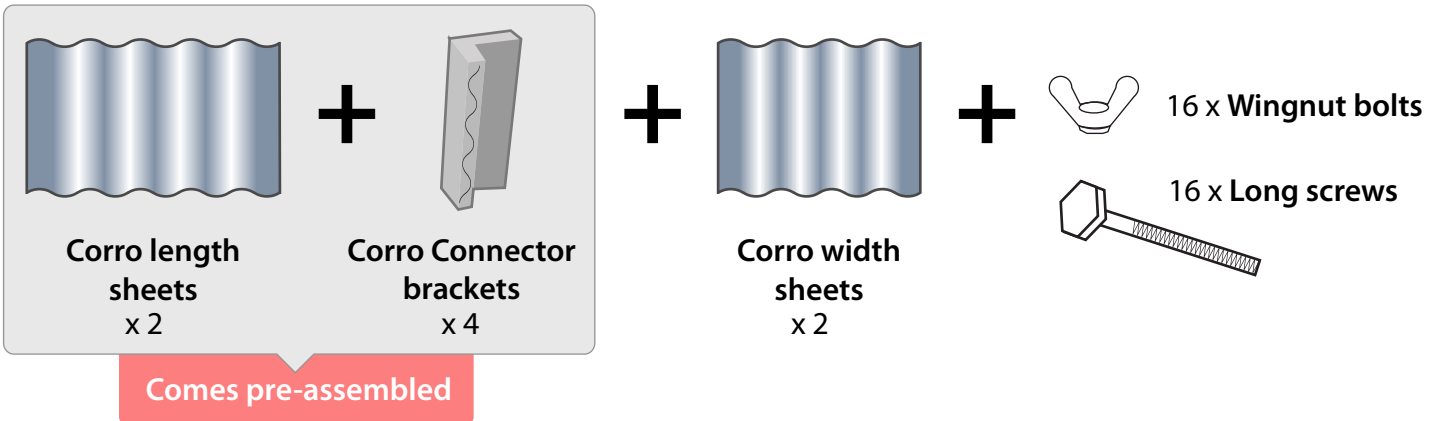



Please read these instructions carefully before attempting to assemble your Corro Raised Garden Bed. Your Corro Kit comes ready to assemble with no other tools needed.

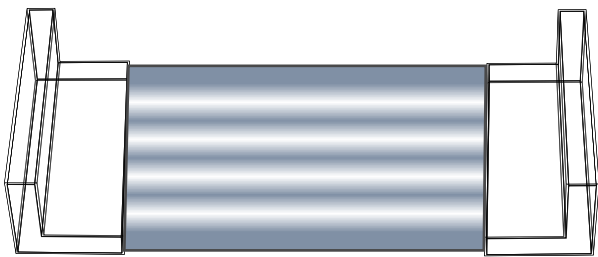
## Your Corro Kit contains:



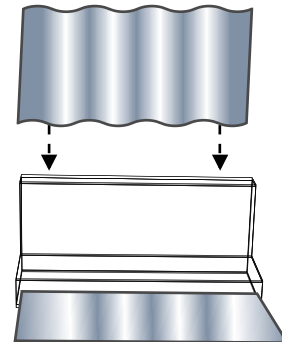
Please exercise caution when building your Corro Raised Garden Bed 

## Assembling your Corro Raised Garden Bed

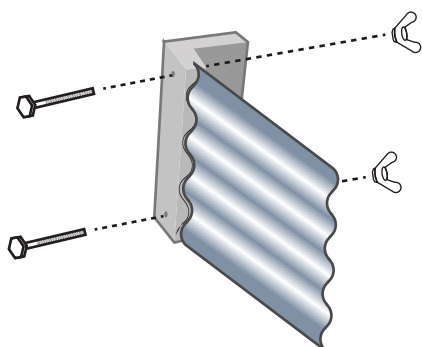
**1** Lay one of the pre-assembled pieces flat on the ground



**2** With a bit of pressure, slide a Corro width sheet into the connector, making sure the screw holes on the sheet, line up with the screw holes in the connector. Repeat for both ends.



**3** Get 2 Long screws and 2 Wingnut bolts. Push the screws through to the other side of the Corro connector making sure they intersect the holes in the Corro sheet. Tighten with the wingnut bolts. Repeat for both ends.



**4** To finish, merge the connector brackets of the 2nd pre-assembled piece with the exposed ends of the Corro width sheets. Then secure with the screws and wingnut bolts.

Your Corro Raised Garden Bed is ready to use.

